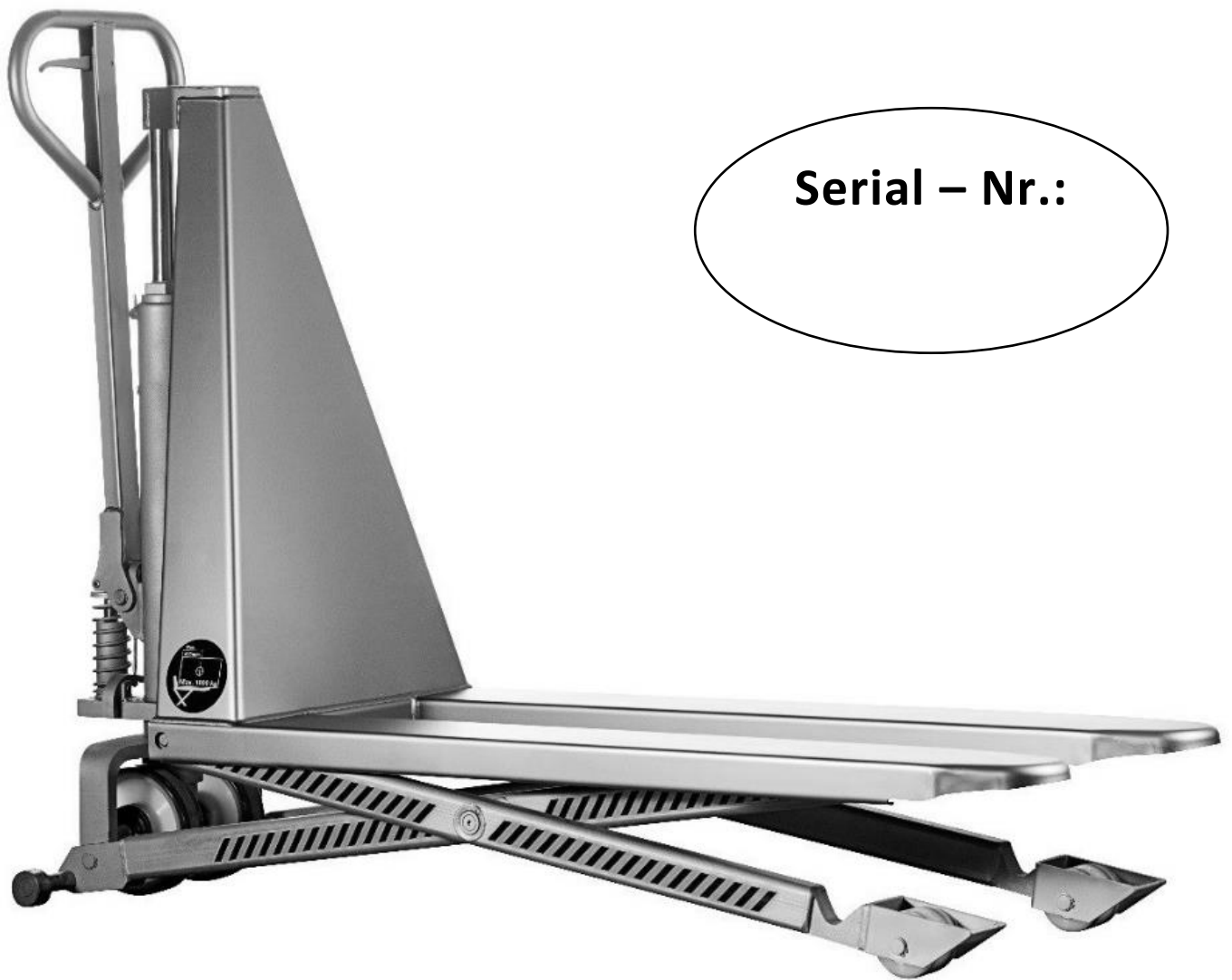


# **HIGH LIFTER**

**Manual, Painted**

OPERATING INSTRUCTIONS  
MAINTENANCE MANUAL  
PARTS CATALOGUE  
DECLARATIONS OF CONFORMITY

ORIGINAL INSTRUCTIONS TRANSLATED ENGLISH EDITION, VERSION 03, applicable FROM 19 January 2024



**Serial – Nr.:**



**VMH**-Material Handling

# HIGH LIFTER - MANUAL, PAINTED

## BASIC INFORMATION

Designation: High Lifter, manual, painted, Model OA/116.  
Lifting capacity: 1,000 kg  
Net weight: 122 kg

**Manufacturer:** VMH–Material Handling s.r.o., Sabinovská 53, SK-082 21 Veľký Šariš, Slovakia

✉ vmh@vmh.sk

☎ 00421 51 7495160

@ www.vmh.sk

☎ 00421 51 7495160

## RECEIVING THE PRODUCT

On receipt of the product, it is important to inspect it immediately for any signs of damage that may have occurred in transit. If any damage is discovered, contact the distributor or supplier and do not use the high lifter until the distributor or supplier has been notified about the damage and the extent of it.

## MALFUNCTION AND DAMAGE

In the event of any malfunction or damage to the high lifter, contact the supplier or the distributor.

## NOTE:

For safety reasons, all service and maintenance must be performed by a technician certified to do so.

## BEFORE USING THE PRODUCT

The manual must be read and understood by the operator before he/she starts to use the high lifter, as it is crucial for the operator to be familiar with the high lifter's function, capacity and loading methods.



### WARNING!

If the precautions specified are not followed, there is a risk of accidents which may entail severe bodily injury and could possibly be fatal.

## TRANSPORTING THE HIGH LIFTER

To lift the high lifter, attach authorized lifting equipment to the front crossbar or upper section. The lifting must be balanced by attaching straps to the fork tips. Note that, when lifting the high lifter, the plunger shaft can be extended to its maximum length. This will not damage the high lifter. For transporting the High Lifter on a lorry, it is recommended that the truck be attached to an EUR-pallet.

# HIGH LIFTER - MANUAL, PAINTED

## **SAFETY EQUIPMENT**

Safety footwear must always be worn when using the high lifter. For service and repair, safety goggles/glasses must also be worn.

The operator must not wear loose objects such as necklaces, finger rings, a scarf, etc., as these can get caught in the High Lifter, thereby exposing the operator to danger.

The high lifter may be used for transporting pallets in an ordinary production environment.

## **PRODUCT DESCRIPTION**

The high lifter is described as a high lifter designed for transporting EUR-pallets.

The high lifter is designed for use in an ordinary production environment. The floor must be hard and level, e.g. concrete or asphalt.

The user must make sure that the floor can support the high lifter, including with its total maximum load.

## **USING THE PRODUCT**

Permitted utilisation:

The high lifter may be used for transporting pallets in an ordinary production environment.

Unacceptable utilisation:

The high lifter may not be used as a scooter or for transporting people.

The high lifter is stable on a level surface, but may not be used on angled surfaces where there is a risk that it could slide or tip over. In addition, the high lifter may not be used in very cold areas or in areas exposed to high temperatures as this could cause the pump to malfunction, thus exposing the operator or other people to danger.

## **HANDLING AND START-UP**

Before using the high lifter, it is important for the operator to read and understand the user instructions.

## **OPERATOR'S POSITION**

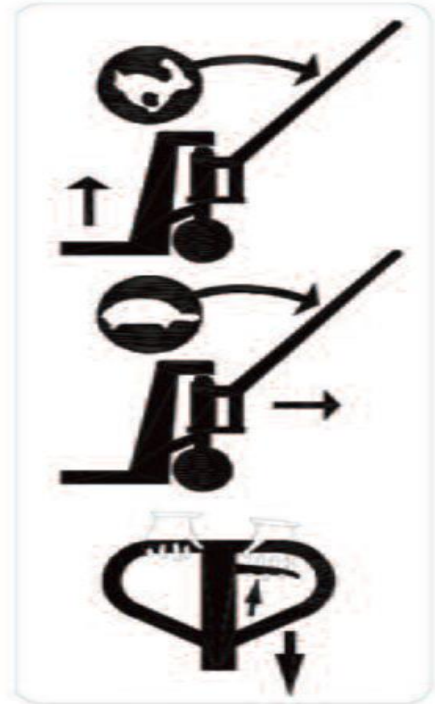
The operator must always position himself/herself in front of the towbar both during transport and when operating the pump.

# HIGH LIFTER - MANUAL, PAINTED

## OPERATING INSTRUCTIONS

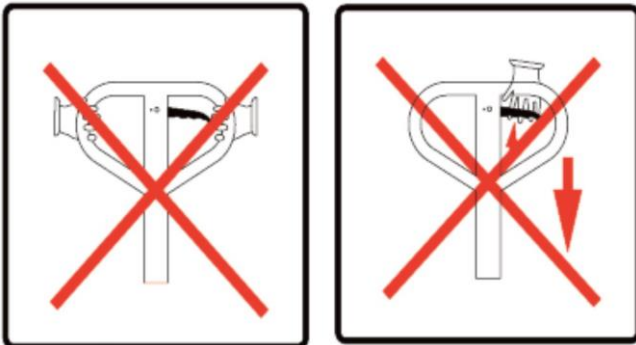
The high lifter's towbar is also used as a pumping bar. A built-in valve enables the towbar to be placed in the desired position simply by slowly moving this.

If the operator wishes to lift the load, the towbar must be pumped quickly. If the operator wishes to lower the load, pull carefully on the towbar's release lever, which activates this function. The adjustment of the lowering function is continuously variable. The upper section has been added to the drawing shown here, to indicate the above functions.



## WARNING FOR OPERATING THE RAISING/LOWERING FUNCTION

There is a risk of being crushed under forks and pallets. Make sure that no one else is nearby when lowering the high lifter. Always position your hands on the top of the handle when operating the high lifter and always use both hands to operate.



## WHEN THE HIGH LIFTER IS NOT IN USE

Always park the high lifter with the forks in the lowest position. Always park the high lifter on an even, level surface to prevent it from unintentionally rolling into areas where it could endanger other people.



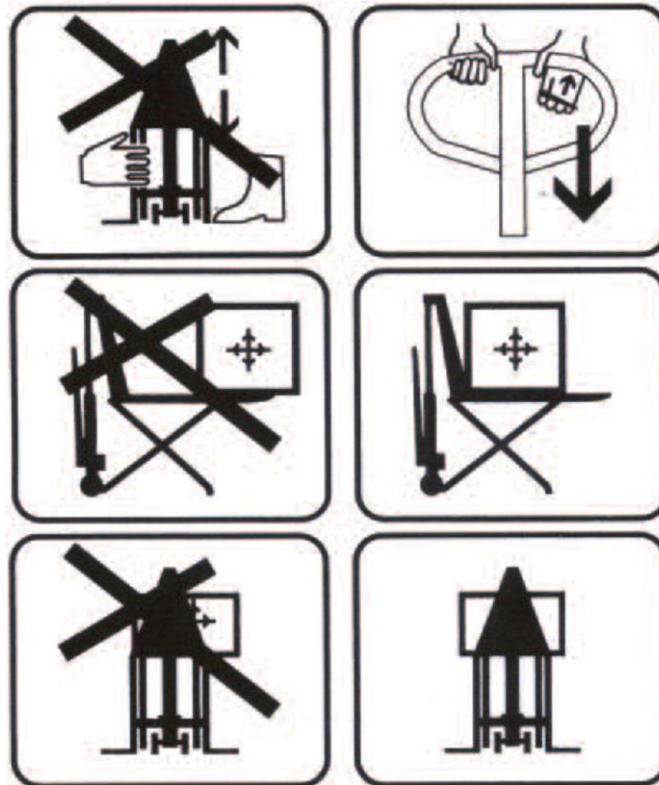
### WARNING DURING OPERATION

Check to see whether anyone is in the area where you are planning to use the high lifter.

# HIGH LIFTER - MANUAL, PAINTED

## THE LOAD

- Know and be aware of the weight of the load and how it is positioned, to ensure that the maximum load limit is not exceeded.
- Make sure the load is stable and correctly positioned on the forks.
- The high lifter may only be operated with a load if the load is stable and secured, so that any loose objects cannot fall off.
- Do not convey tall loads on the high lifter.
- Be aware of the condition of the floor surface, i.e. whether it is even and smooth, whether there is an incline or a decline, as failing to observe this could cause a dangerous situation.
- Do not operate the high lifter on catwalks or other unstable surfaces.
- Avoid high speeds when turning.



# HIGH LIFTER - MANUAL, PAINTED

## INSPECTION AND MAINTENANCE



### **WARNING!**

During service and maintenance, there is a risk of being crushed by movable parts of the high lifter. Be sure to correctly chock the high lifter in a stable location while servicing it, to prevent sudden movements of the high lifter.

### **DAILY INSPECTION**

For safety reasons, the operator should inspect the high lifter on a daily basis for wear and damage. Special attention is drawn to the following components:

- Loose axles caused by damaged bolts, nuts or tubular pins
- Ruptures or cracks in the chassis
- Ruptures or cracks in the towbar
- Bent scissors
- Wheels and auxiliary rollers must be intact and must be able to rotate freely
- Make sure no cloths, strip waste or other items are wound around the hub of the wheel or auxiliary rollers

### **WEEKLY INSPECTION**

For continuous operation, all movable parts should be inspected and lubricated with SAE 30 motor oil at least once a week. Ordinary bearing grease should be injected into the lubrication points equipped with a grease nipple.

### **MONTHLY INSPECTION**

Check the level of oil in the hydraulic system once a month. If the pump lacks oil, this is usually discovered from oil residue on the high lifter or when the high lifter cannot be pumped up to the top position.

### **OIL**

The hydraulic system contains 1.5 liters of oil. Replenish with oil at the top of the pump housing. At temperatures between  $-35^{\circ}\text{C}$  and  $+40^{\circ}\text{C}$ , use oil certified to ISO 32 with a viscosity index of at least 150.

### **LUBRICATING THE TOWBAR**

On the towbar, lubricate the release chain, the pin on the release lever and the pin at the lowering valve lever.

# HIGH LIFTER - MANUAL, PAINTED

## INSPECTION AND MAINTENANCE PLAN

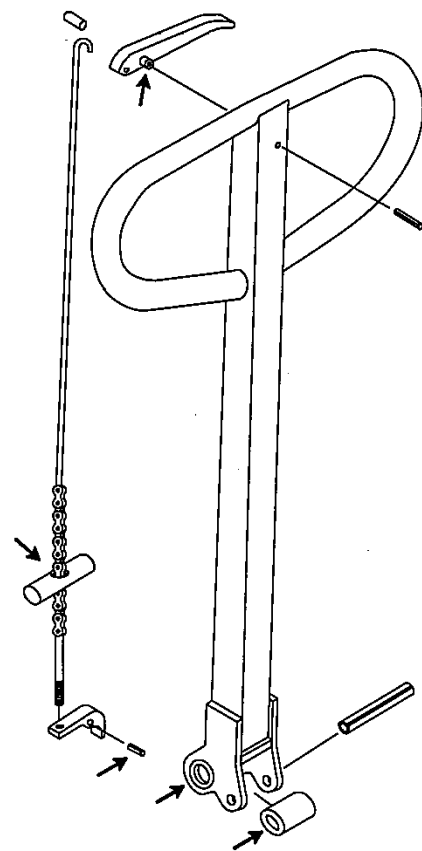
	Daily	Weekly	Monthly
Cleaning	•		
Inspect for damage and ruptures	•		
Lubrication		•	
Oil level, pump			•

## LUBRICATING THE PUMP TOWBAR

### NOTE:

To achieve correct lifting and lowering, the chain drive in the towbar must be preset so there is 0.4 mm ( $\pm 0.1$  mm) between the release pin and the lowering-valve lever, regardless of where the towbar is positioned.

Oli lubrication →

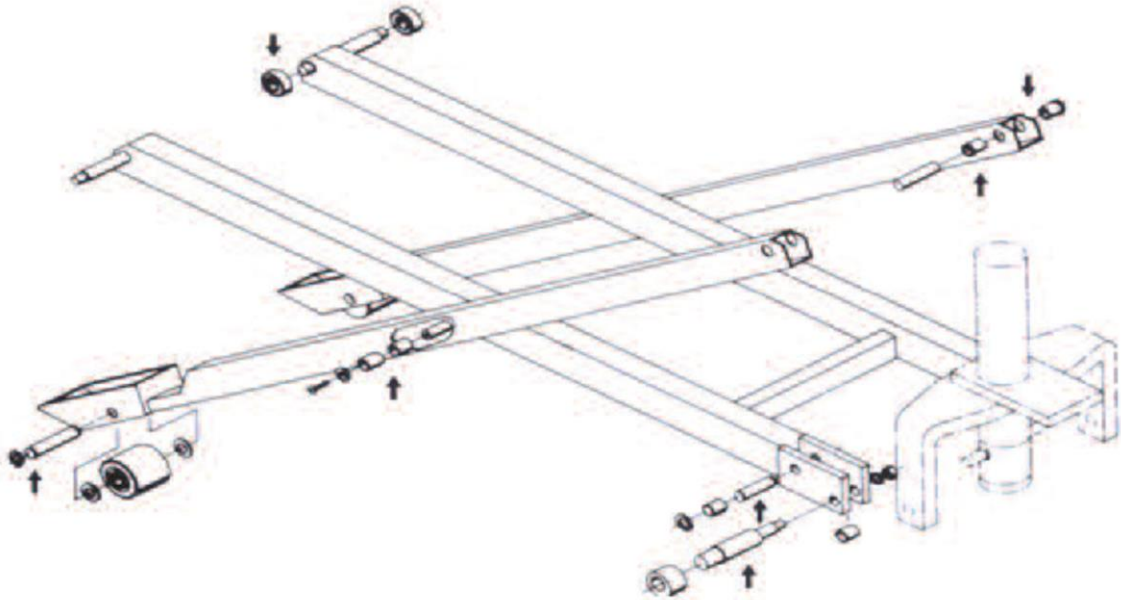


# HIGH LIFTER - MANUAL, PAINTED

## LUBRICATING THE SCISSOR-LIFT ASSEMBLY

Oil lubrication→

Grease lubrication→



## CLEANING

The environment in which the high lifter is used determines the cleaning frequency. It is recommended to assess the need for cleaning based on the current rules in the company. The high lifter can be cleaned with warm water and automobile detergent or similar. After cleaning, wipe down the truck and lubricate the movable parts (see the section concerning maintenance and lubrication).

## DISPOSING OF THE HIGH LIFTER

The high lifter must be disposed in accordance with applicable rules at the time of disposal. Contact your local environmental station for further details, if necessary.

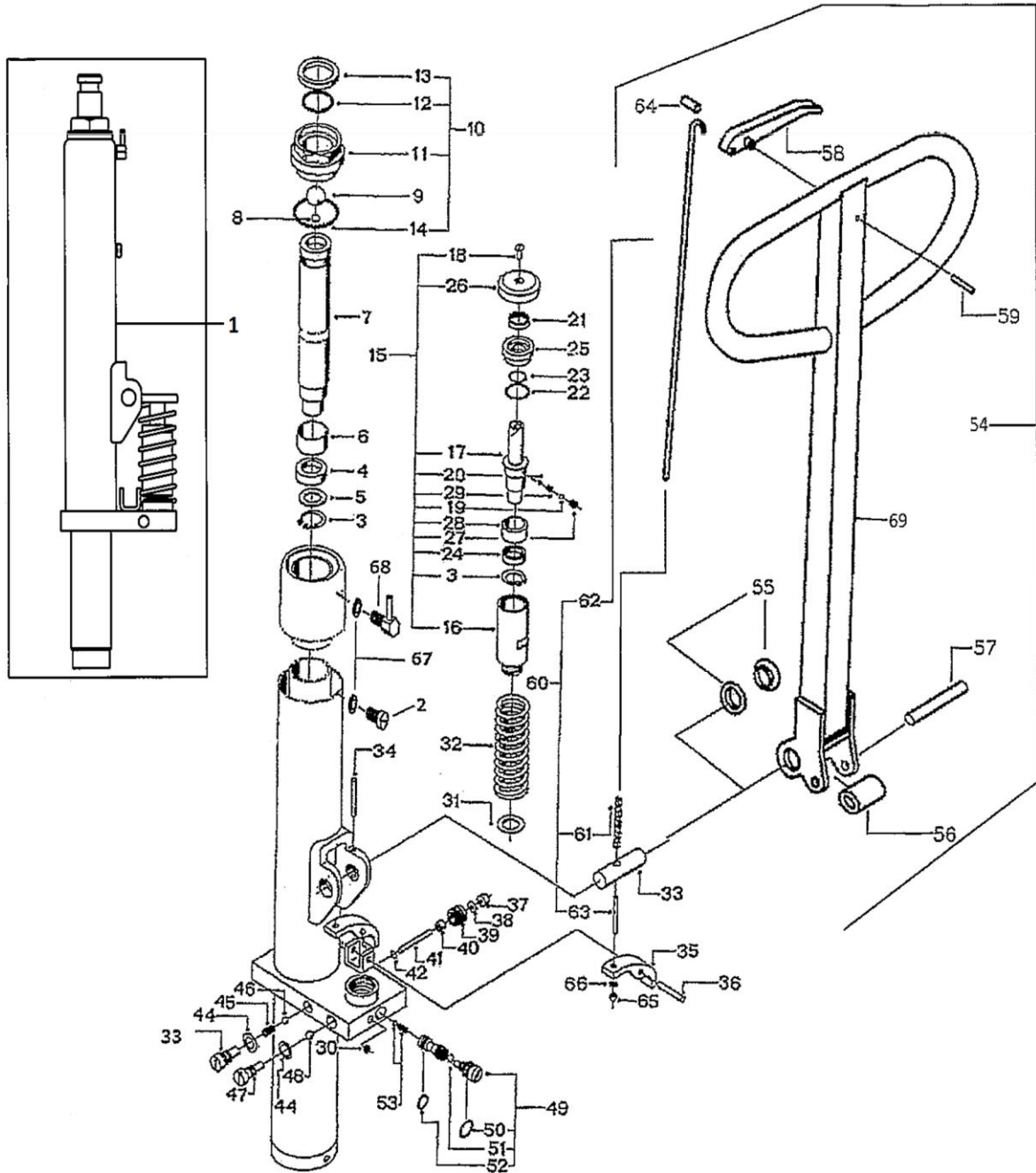
## THE HIGH LIFTER CONTAINS THE FOLLOWING MATERIALS

- Chassis: painted steel
- Towbar: painted steel
- Scissors: painted steel
- Wheels: nylon, polyurethane or rubber
- Bearings: chrome steel
- Bushings: polyacetal, nylon, brass
- Pump housing: painted steel, hydraulic oil, polyacetal, nylon, copper, steel containing chromium, stainless steel, polyurethane and nitrile rubber.



# HIGH LIFTER - MANUAL, PAINTED

## PARTS LIST FOR HIGH LIFTER, MANUAL, PAINTED MODEL: PUMP ASSEMBLY



# HIGH LIFTER - MANUAL, PAINTED

## PARTS LIST FOR HIGH LIFTER, MANUAL, PAINTED MODEL:

### PUMP ASSEMBLY

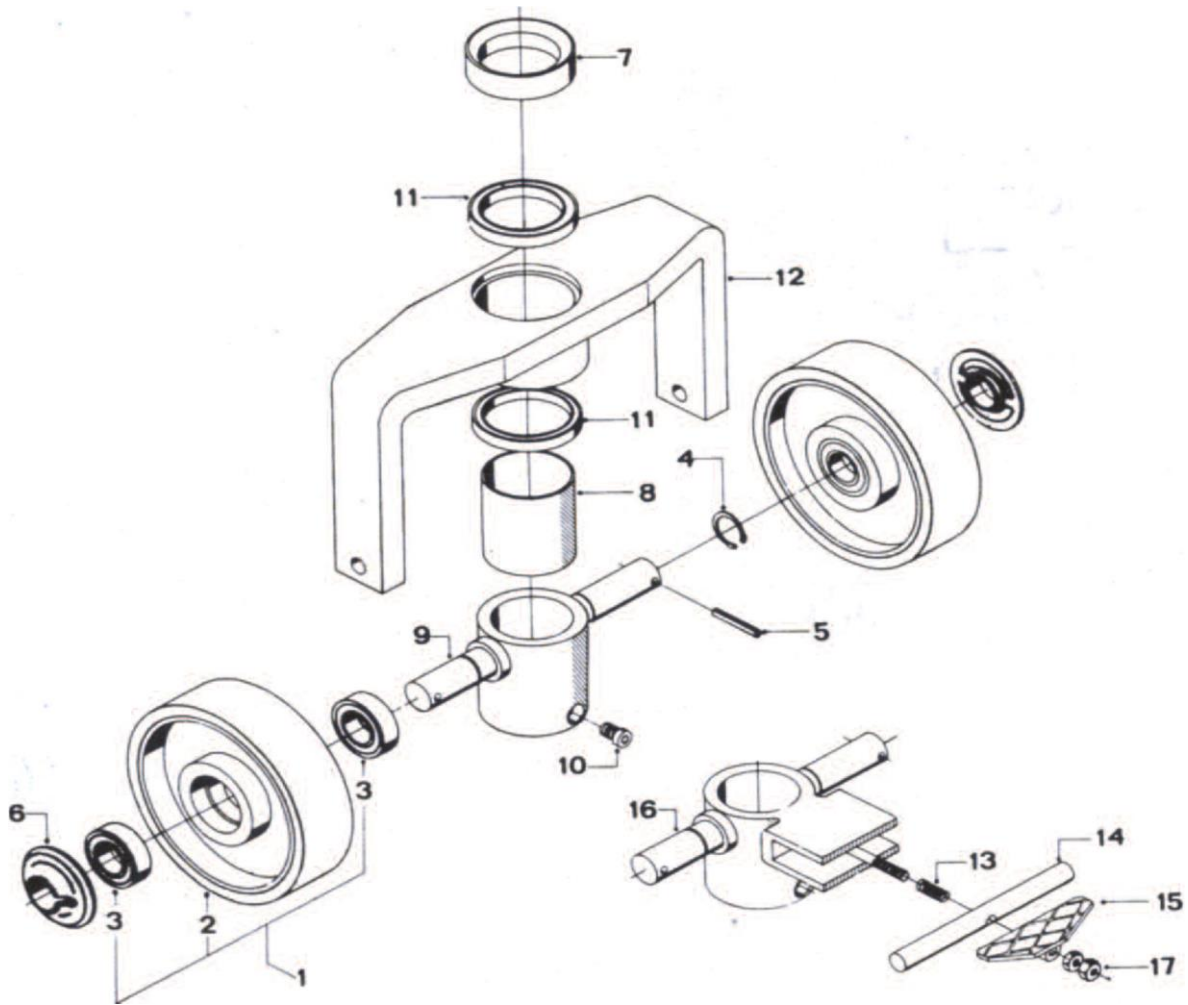
Item	Item no.	Qty	Designation
1	11.15-50.228	1	Pump assembly
2	20345	1	Oil plug
3	402.104	2	Lock ring
4	11.15-50.101	1	Packing
5	11.15-50.102	1	Support ring
6	456.008	1	Bushing
7	11.15-50.005	1	Piston
8	451.050	1	Ball, Ø 12 mm
9	451.047	1	Ball, Ø 1"
10	622.130	1	Union nut, completet
11	NSS	1	Union nut
12	452.045	1	O-ring
13	452.098	1	Oil scraper ring
14	452.065		O-ring
15	11.15-50.028	1	Pump cylinder, complete
16	11.15-50.020	1	Pump cylinder
17	11.15-50.022	1	Pump piston
18	11.15-50.095	1	Screw
19	451.050	1	Ball, Ø 6 mm
20	451.053	1	Ball, Ø 4 mm
21	452.060	1	Oil scraper ring
22	452.079	1	O-ring
23	452.080		O-ring
24	452.081	1	U-sleeve
25	11.15-50.021	1	Union nut
26	11.15-50.023	1	Washer
27	11.15-50.024	1	Spring
28	11.15-50.025	1	Brass ring
29	11.15-50.027	1	Spring
30	452.101	1	Expander
31	452.049	1	Copper ring
32	11.15-50.026	1	Spring
33	412.124	1	Axle
34	402.147	1	Pin
35	502.194	1	Lowering valve lever
36	402.151	1	Pin
37	452.051	1	Rubber bushing
38	401.124	1	Washer
39	400.063	1	Valve screw
40	452.042	1	U-sleeve
41	410.059	1	Release pin
* 42	452.076	1	Cloverleaf ring
43	400.061	1	Collar screw

# HIGH LIFTER - MANUAL, PAINTED

Item	Item no.	Qty	Designation
44	452.047	2	Ring
45	403.039	1	Valve spring
46	451.046	1	Bearing, Ø 8 mm
47	400.204	1	Collar screw
48	451.044	1	Ball, Ø 9 mm
49	622.149	1	Neutral position valve
50	11.15-50.017	1	O-ring
51	NSS	1	Ball, Ø 7 mm
52	452.097	2	O-ring
53	622.155	1	Chamber and spring
54	622.330	1	Towbar completed
55	457.032	2	Bushing
56	436.020	1	Roller
57	402.049	1	Pin
58	405.017	1	Release lever
59	20105	1	Locking pin
60	622.332	1	Chain, complete
61	402.217	1	Chain
62	64153	1	Valvebar , long
63	413.057	1	Threaded rod, short
64	54140	1	Tube
65	400.234	1	Nut
66	401.139	1	Flat washer
67	11.15-50.291	2	Sealing
68	11.15-50.278	1	Valve plug
69	597.067	1	Towbar welded
	11.15-50.231	1	Washer set
*			NSS = Not sold separately

# HIGH LIFTER - MANUAL, PAINTED

## PARTS LIST FOR HIGH LIFTER, MANUAL, PAINTED MODEL: STEERING COLUMN



# HIGH LIFTER - MANUAL, PAINTED

## RESERVEDELISOVERSIGT – MANUEL HØJTLØFTER, LAKERET MODEL: PUMPESAMLING

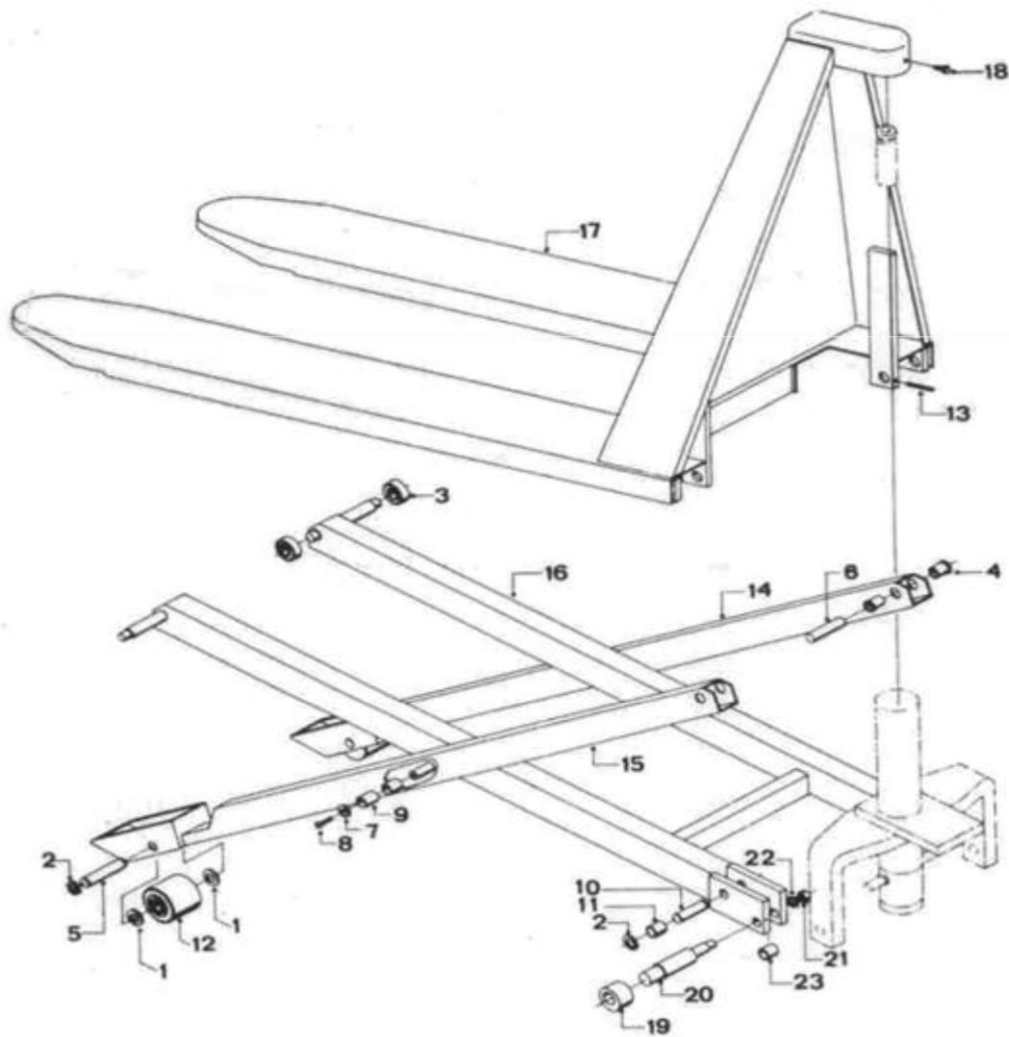
Item	Item no.	Qty	Designation
0	NSS	1	Steering column, complete
1	315.017	2	Poly wheel, bearings included
2	NSS	2	Poly wheel
3	451.059	4	Ball bearing
4	402.104	2	Lock ring
5	402.148	2	Pin
6	440.710	2	Stop ring
7	04.02-50.001	1	Spacer ring
8	04.02-50.004	1	Spacer ring
9	04.02-50.017	1	Steering column
10	04.02-50.018 +	2	Bolt and washer
	04.02-50.020		
11	04.02-50.019	2	Ball bearing
12	04.02-50.065	1	Chassis

## ACCESSORIES

Item	Item no.	Qty	Designation
	07.02-50.000		Footbrake, complete
13	07.02-50.002	1	Spring
14	07.02-50.006	1	Axle
15	07.02-50.004	1	Brake pedal
16	04.02-50.111	1	Steering column
17	400.194	2	Nut
			NSS = Not sold separately

# HIGH LIFTER - MANUAL, PAINTED

PARTS LIST FOR HIGH LIFTER, MANUAL, PAINTED MODEL:  
PRESSURE BAR AND STABILISER



# HIGH LIFTER - MANUAL, PAINTED

## PARTS LIST FOR HIGH LIFTER, MANUAL, PAINTED MODEL: PRESSURE BAR AND STABILISER

Item	Item no.	Qty	Designation
0	14.05-50.312	1	Scissor lift assembly, 560
	14.05-50.313	1	Scissor lift assembly, 685
1	401.046	4	Flat washer
2	402.100	8	Lock washer
3	451.021	4	Ball bearing
4	456.014	4	Bushing
5	14.05-50.063	2	Axle
6	14.05-50.005	2	Axle
7	14.05-50.011	2	Tie washer
8	14.05-50.012	2	Screw
9	14.05-50.013	4	Bushing
10	14.05-50.015	2	Axle
11	14.05-50.016	2	Bushing
12	365.048	2	Nylon roller
13	14.05-50.020	2	Pin
14	14.05-50.314	1	Scissor lift section, left
15	14.05-50.315	1	Scissor lift section, right
16	14.05-50.272	1	Scissor lift, welded 560
	14.05-50.273		Scissor lift, welded 685
17	14.08-50.192	1	Frame, welded joint 560
	14.08-50.193		Frame, welded joint 685
18	400.172	1	Bolt
19	201.01-50.016	2	Eccentric
20	201.01-50.017	2	Stabiliser
21	201.01-50.018	2	Nut
22	201.01-50.019	2	Washer
23	201.01-50.020	2	Bushing
			NSS = Not sold separately

# HIGH LIFTER - MANUAL, PAINTED

## COMPLIANCE STATEMENT:

### EU DECLARATION OF CONFORMITY, ENGLISH VERSION (UK)

All information you need for the use and maintenance of your low loader can be found in this operating manual. Before switching on the car, read the owner's manual carefully and follow the instructions contained therein. They help you prevent accidents and maintain the warranty conditions and therefore their validity.

The pallet truck described in this manual is manufactured using the most modern technological processes. During construction, all applicable safety standards and regulations were observed.

**VMH - Material Handling s.r.o. Sabinovská 53, 082 21 Veľký Šariš, SLOVAKIA**



Tel.: 00421 51 7495160  
Fax.: 00421 51 7495160  
E-mail: [vmh@vmh.sk](mailto:vmh@vmh.sk)  
Web: [www.vmh.sk](http://www.vmh.sk)



The declaration of conformity indicates that a forklift truck complies with the relevant directives at the time it is placed on the market:

- \* **CE: European Union (EU)**
- \* **UKCA: United Kingdom of Great Britain (UK)**

The Declaration of Conformity is issued for the EU and United Kingdom (UK) markets.

## ★ ★ ★ EC Declaration of Conformity ★ ★ ★

to EC Machinery Directive: **2006/42/EC**

Producer: VMH–Material Handling s.r.o., Sabinovská 53, SK-082 21 Veľký Šariš, Slovakia  
Reg. Nr.: 45 452 237

We, represented by the undersigned, here by declare that the following machinery:

### **HIGH LIFTER – MANUAL**

*(painted)*

**Model OA/116 with capacity 1000 kg**  
**(also, with additional components and derivations)**

conforms to the following relevant provisions / directives:

**EC Machinery Directive 2006/42/EC**

Further standards / specifications / documents used in the form of

**Harmonised Standards:** **EN ISO 12100:2010**  
**ES ISO 3691-5:2015+A1:2020**

Veľký Šariš, Slovakia 19.01.2024

Vladimír Havrila

## IMPORTANT:

Unauthorized interventions or changes to the structure of the pallet truck can lead to injuries and a general safety hazard in the workplace. Such an intervention in the structure will result in the declaration of conformity becoming invalid.