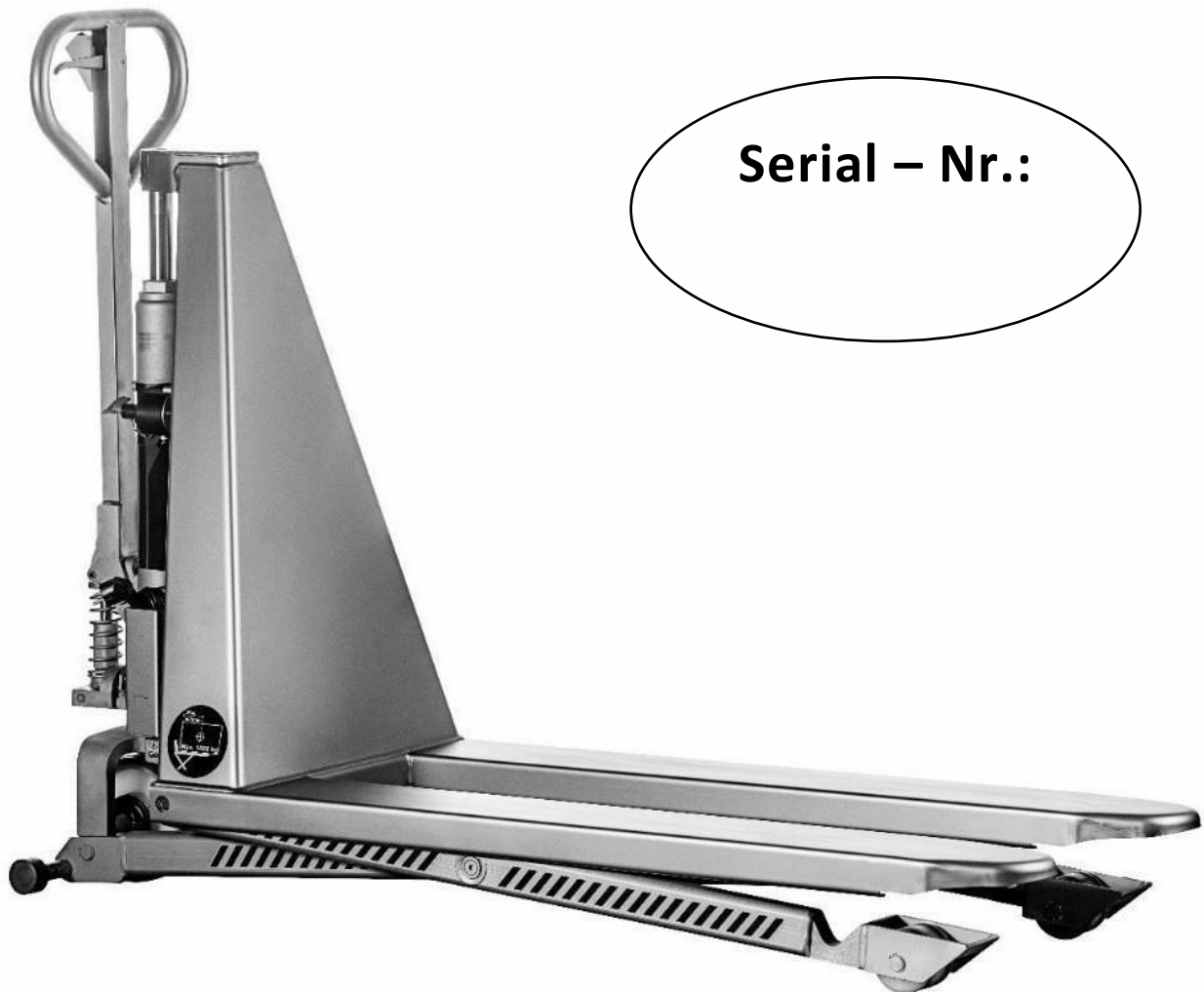


HIGH LIFTER

Electric, Stainless Steel

OPERATING INSTRUCTIONS
MAINTENANCE MANUAL
PARTS CATALOGUE
DECLARATIONS OF CONFORMITY

ORIGINAL INSTRUCTIONS TRANSLATED ENGLISH EDITION, VERSION 03, applicable FROM 19 January 2024



Serial – Nr.:

HIGH LIFTER - ELECTRIC, STAINLESS STEEL

BASIC INFORMATION

Designation: High Lifter, electric, stainless steel, type OA/116.

Additional Accessories (option): automatically lifting-/lowering function

Lifting capacity: 1,000 kg

Net weight: 156 kg

Manufacturer: VMH–Material Handling s.r.o., Sabinovská 53, SK-082 21 Veľký Šariš, Slovakia

✉ vmh@vmh.sk

☎ 00421 51 7495160

@ www.vmh.sk

☎ 00421 51 7495160

RECEIVING THE PRODUCT

On receipt of the product, it is important to inspect it immediately for any signs of damage that may have occurred in transit. If any damage is discovered, contact the distributor or supplier and do not use the high lifter until the distributor or supplier has been notified about the damage and the extent of it.

MALFUNCTION AND DAMAGE

In the event of any malfunction or damage to the high lifter, contact the supplier or the distributor.

NOTE:

For safety reasons, all service and maintenance must be performed by a technician certified to do so.

BEFORE USING THE PRODUCT

The manual must be read and understood by the operator before he/she starts to use the high lifter, as it is crucial for the operator to be familiar with the high lifter's function, capacity and loading methods.



WARNING!

If the precautions specified are not followed, there is a risk of accidents which may entail severe bodily injury and could possibly be fatal.

TRANSPORTING THE HIGH LIFTER

To lift the high lifter, attach authorized lifting equipment to the front crossbar or upper section. The lifting must be balanced by attaching straps to the fork tips. Note that, when lifting the high lifter, the plunger shaft can be extended to its maximum length. This will not damage the high lifter. For transporting the High Lifter on a lorry, it is recommended that the truck be attached to an EUR-pallet.

HIGH LIFTER - ELECTRIC, STAINLESS STEEL

SAFETY EQUIPMENT

Safety footwear must always be worn when using the high lifter. For service and repair, safety goggles/glasses must also be worn.

The operator must not wear loose objects such as necklaces, finger rings, a scarf, etc., as these can get caught in the High Lifter, thereby exposing the operator to danger. The high lifter may be used for transporting pallets in an ordinary production environment.

PRODUCT DESCRIPTION

The high lifter is described as a high lifter designed for transporting EUR-pallets.

The high lifter is designed for use in an ordinary production environment. The floor must be hard and level, e.g. concrete or asphalt.

The user must make sure that the floor can support the high lifter, including with its total maximum load.

USING THE PRODUCT

Permitted utilisation:

The high lifter may be used for transporting pallets in an ordinary production environment.

Unacceptable utilisation:

The high lifter may not be used as a scooter or for transporting people.

The high lifter is stable on a level surface, but may not be used on angled surfaces where there is a risk that it could slide or tip over. In addition, the high lifter may not be used in very cold areas or in areas exposed to high temperatures as this could cause the pump to malfunction, thus exposing the operator or other people to danger.

HANDLING AND START-UP

Before using the high lifter, it is important for the operator to read and understand the user instructions.



OPERATOR'S POSITION

The operator must always position himself/herself in front of the towbar both during transport and when operating the pump.



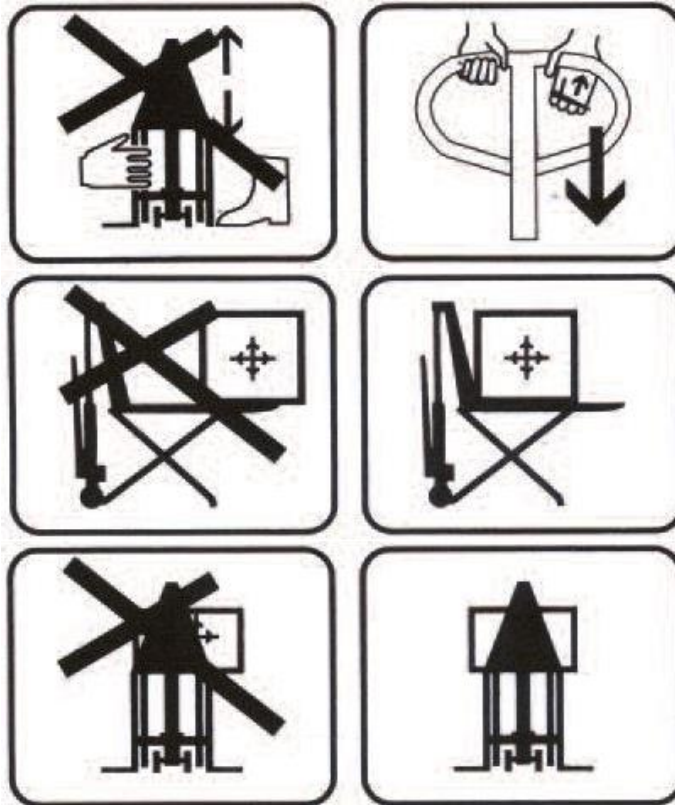
WARNING DURING OPERATION

Check to see whether anyone is in the area where you are planning to use the high lifter.

HIGH LIFTER - ELECTRIC, STAINLESS STEEL

THE LOAD

- Know and be aware of the weight of the load and how it is positioned, to ensure that the maximum load limit is not exceeded.
- Make sure the load is stable and correctly positioned on the forks.
- The high lifter may only be operated with a load if the load is stable and secured, so that any loose objects cannot fall off.
- Do not convey tall loads on the high lifter.
- Be aware of the condition of the floor surface, i.e. whether it is even and smooth, whether there is an incline or a decline, as failing to observe this could cause a dangerous situation.
- Do not operate the high lifter on catwalks or other unstable surfaces.
- Avoid high speeds when turning.



HIGH LIFTER - ELECTRIC, STAINLESS STEEL

OPERATING INSTRUCTIONS, MANUAL

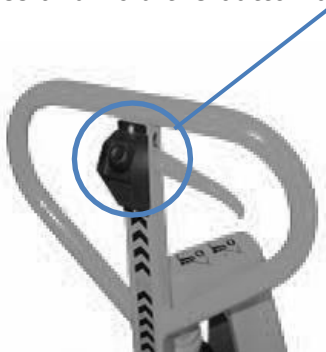
The pallet truck's towbar is also used as a pumping/lifting bar. A built-in valve enables the towbar to be placed in the desired position simply by slowly moving this.

If the operator wishes to lift the load, the towbar must be moved quickly. If the operator wishes to lower the load, pull carefully on the towbar's release lever, which activates this function. The adjustment of the lowering function is continuously variable. The upper section has been added to the drawing shown here, to indicate the above functions.

OPERATING INSTRUCTION, ELECTRIC

Raising the forks:

To raise the forks, use the pushbutton located under the protective bar on top of the towbar. Press and hold the button until the desired lifting height is reached.



Lowering the forks:

To lower the forks, carefully move the release lever upwards, which will activate this function.

NOTE

The adjustment of this function is continuously variable for slow or rapid lowering.

BATTERY

The high lifter is equipped with a maintenance-free gel battery (VRLA). The battery is charged from the factory, but it is recommended that the battery be recharged before starting to use the truck.

CHARGING THE BATTERY

The high lifter is equipped with a built-in charger located on the left-hand side of the battery case. The charger is equipped with an alarm (red diode) which flashes when the battery needs to be recharged.

HIGH LIFTER - ELECTRIC, STAINLESS STEEL

CONNECTING THE CHARGER

Attach the charging cable to the high lifter, and then plug in the cable to a 230V outlet. Start the charging process by turning on the switch, and the red diode will stop flashing.

- A yellow diode indicates that the charger is turned on.
- A green diode indicates that the battery is charged.



WARNING:

Prolonged use of the high lifter after the red diode has started flashing could permanently damage the battery.

WHEN THE TRUCK IS NOT IN USE

Always park the pallet truck with the forks in the lowest position. Always park the truck on an even, level surface to prevent it from unintentionally rolling into areas where it could endanger other people.

EMERGENCY STOP

The high lifter is equipped with an emergency stop. For safety reasons, the emergency stop should be tested about once a month, but otherwise comply with the company's safety policy.

HIGH LIFTERS FITTED WITH OPTIONAL EXTRA EQUIPMENT – AUTOMATIC HEIGHT ADJUSTMENT

FUNCTIONAL DESCRIPTION

The high lifter is available with an extra control system that is operated via a signal from a photocell. The hydraulic unit is equipped with a magnetic valve that ensures gentle, controlled movement for lowering the high lifter using the automated controls.

The high lifter is operated in the same way as a standard electric high lifter. The automatic controls can be disconnected using a plug in the battery case and a thumb screw.

The operator should familiarise himself/herself with this function and the machine's movements when it is operating automatically. The operator should ensure that there is proper space for the machine and for the load intended to be conveyed, so that the machine can work freely and without obstruction. The working area should be designed so that lifting and lowering can be carried out without a risk of crushing or injury to the operator.

People working near the machine should be aware of the machine's automatic operation. For using the automatic height adjustment, set the photocell at the desired working height.

HIGH LIFTER - ELECTRIC, STAINLESS STEEL

INSPECTION AND MAINTENANCE



WARNING!

During service and maintenance, there is a risk of being crushed by movable parts of the high lifter. Be sure to correctly chock the high lifter in a stable location while servicing it, to prevent sudden movements of the high lifter.

DAILY INSPECTION

For safety reasons, the operator should inspect the high lifter on a daily basis for wear and damage. Special attention is drawn to the following components:

- Loose axles caused by damaged bolts, nuts or tubular pins
- Ruptures or cracks in the chassis
- Ruptures or cracks in the towbar
- Bent compression bars
- Wheels and auxiliary rollers must be intact and must be able to rotate freely
- Make sure no cloths, strip waste or other items are wound around the hub of the wheel or auxiliary rollers

HIGH LIFTER - ELECTRIC, STAINLESS STEEL

WEEKLY INSPECTION

For continuous operation, all movable parts should be inspected and lubricated with SAE 30 motor oil at least once a week. Ordinary bearing grease should be injected into the lubrication points equipped with a grease nipple.

MONTHLY INSPECTION

Check the level of oil in the hydraulic system once a month. If the pump lacks oil, this is usually discovered from oil residue on the high lifter or when the high lifter cannot be pumped up to the top position.

OIL

The hydraulic system contains 1.5 liters of oil. Replenish with oil at the top of the pump housing. At temperatures between -35°C and $+40^{\circ}\text{C}$, use oil certified to ISO 32 with a viscosity index of at least 150.

LUBRICATING THE TOWBAR

On the towbar, lubricate the release chain, the pin on the release lever and the pin at the lowering valve lever.

INSPECTION AND MAINTENANCE PLAN

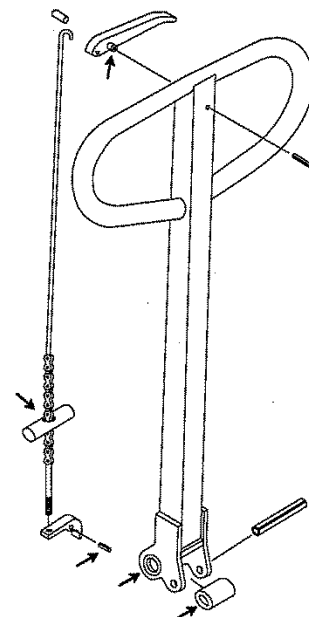
	Daily	Weekly	Monthly
Cleaning	•		
Inspect for damage and ruptures	•		
Lubrication		•	
Oil level, pump			•

LUBRICATING THE PUMP TOWBAR

NOTE:

To achieve correct lifting and lowering, the chain drive in the towbar must be preset so there is 0.4 mm (± 0.1 mm) between the release pin and the lowering-valve lever, regardless of where the towbar is positioned.

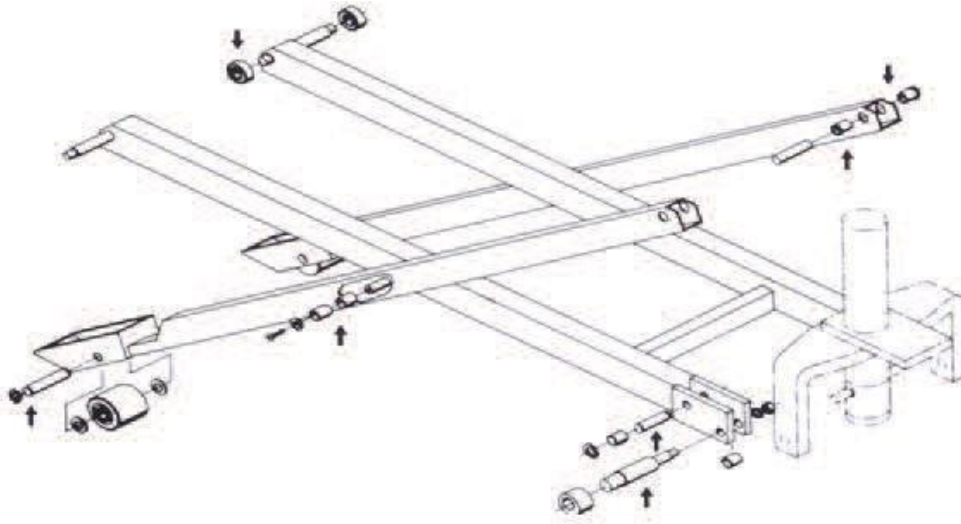
Oil lubrication →



HIGH LIFTER - ELECTRIC, STAINLESS STEEL

LUBRICATING THE SCISSOR-LIFT ASSEMBLY

Oil lubrication→
Grease lubrication→



CLEANING

The environment in which the high lifter is used determines the cleaning frequency. It is recommended to assess the need for cleaning based on the current rules in the company. The high lifter can be cleaned with warm water and automobile detergent or similar. After cleaning, wipe down the truck and lubricate the movable parts (see the section concerning maintenance and lubrication).

DISPOSING OF THE HIGH LIFTER

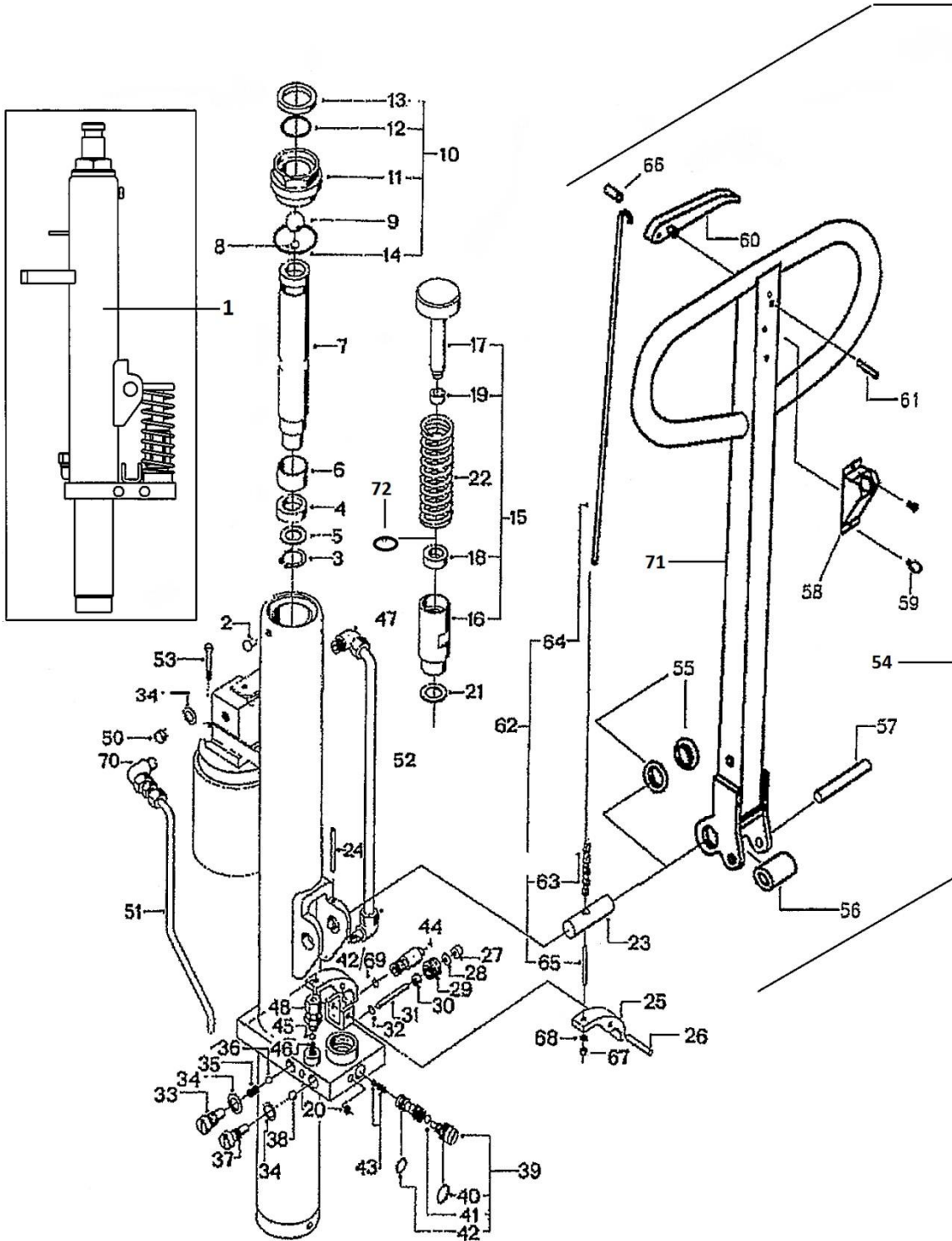
The high lifter must be disposed in accordance with applicable rules at the time of disposal. Contact your local environmental station for further details, if necessary.

THE HIGH LIFTER CONTAINS THE FOLLOWING MATERIALS

- Chassis: stainless steel
- Towbar: stainless steel
- Scissors: stainless steel
- Wheels: nylon, polyurethane or rubber
- Bearings: stainless chrome steel
- Bushings: Polyacetal, nylon, brass
- Pump housing: metallised steel, hydraulic oil, polyacetal, nylon, copper, stainless steel, polyurethane and nitrile rubber.

HIGH LIFTER - ELECTRIC, STAINLESS STEEL

PARTS LIST FOR HIGH LIFTER, ELECTRIC, STAINLESS STEEL MODEL: PUMP ASSEMBLY



HIGH LIFTER - ELECTRIC, STAINLESS STEEL

PARTS LIST FOR HIGH LIFTER, ELECTRIC, STAINLESS STEEL MODEL: PUMP ASSEMBLY

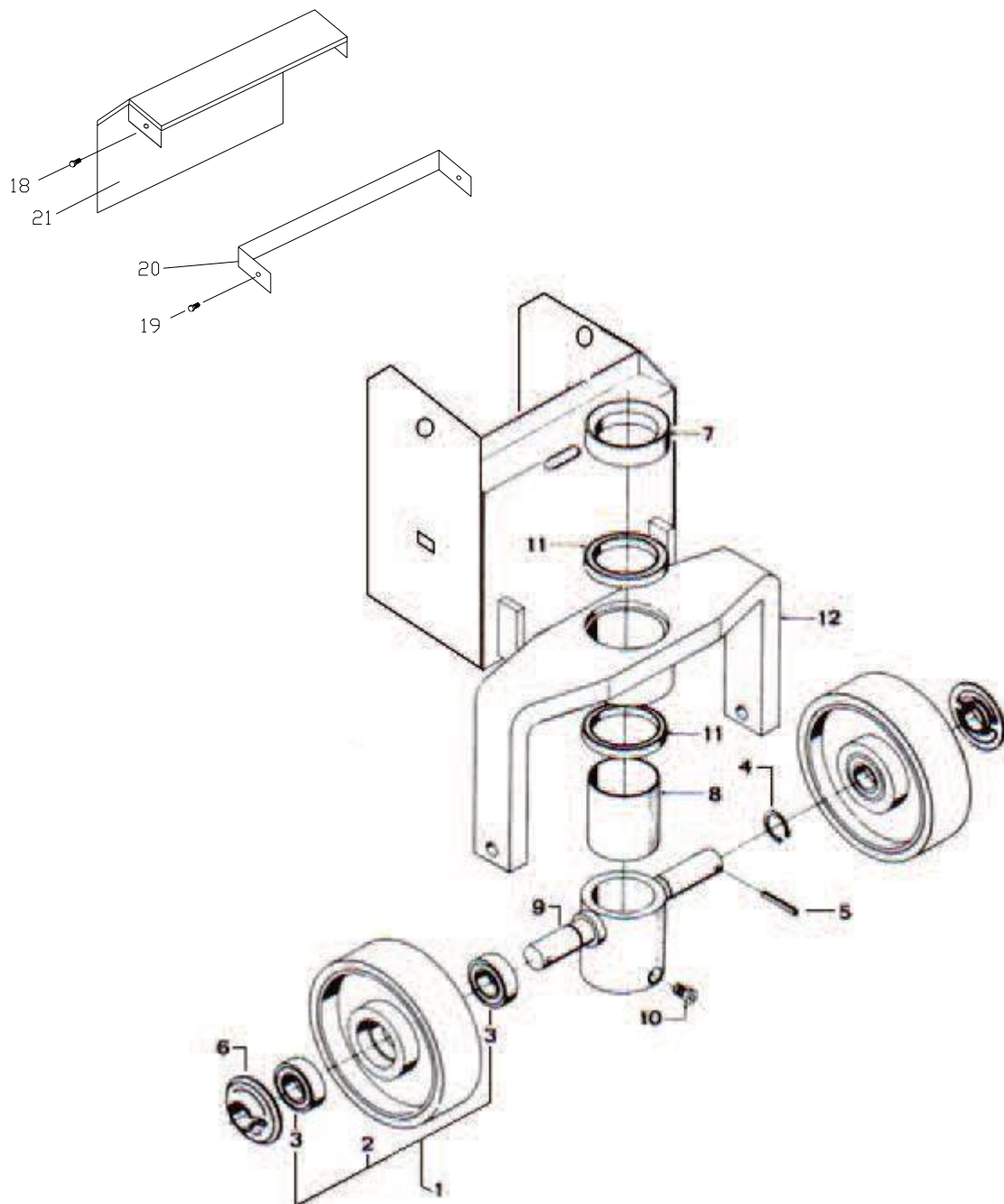
Item	Item no.	Qty	Designation
1	11.15-50.572	1	Pump assembly
2	11.15-50.291	1	Oil plug
	400.030	1	Screw
3	402.104	2	Lock ring
4	11.15-50.101	1	Packing
5	401.010	1	Support ring
6	456.008	1	Bushing
7	11.15-50.093	1	Piston
8	451.068	1	Ball, Ø 12 mm
9	451.067	1	Ball, Ø 1"
10	622.288	1	Union nut, complete
11	NSS		Union nut
12	452.045	1	O-ring
13	20066	1	Oil scraper ring
14	452.065	1	O-ring
15	621.027	1	Pump cylinder & piston, completet
16	601.128	1	Pump cylinder with sealing Pos 17, 19, 21, 72
17	601.069	1	Pump piston with sealing Pos 17 & 19
18	452.056	1	Scraper ring
19	452.095	1	Sealing
20	452.106	1	Expander ø7
21	452.049	1	Copper ring
22	403.058	1	Pump spring
23	412.132	1	Rotative axle
24	402.170	1	Pin 5 x 50
25	502.205	1	Lower valve arm
26	402.204	1	Pin 8 x 30
27	452.051	1	Rubber bushing
28	401.142	1	Flat washer
29	400.063	1	Valve screw
30	452.042	1	U-sleeve
31	410.059	1	Release pin
32	452.076	1	Cloverleaf ring
33	400.200	1	Collar screw
34	689	3	Ring
35	403.063	1	Valve spring
36	451.046	1	ball, Ø 8 mm
37	400.215	1	Collar screw
38	451.065	1	Ball, Ø 9 mm
39	622.268	1	Neutral position valve
40	11.15-50.017 452.095	1+1	O-ring + cuff
41	451.063	1	Ball, Ø 7 mm
42	452.097	2	O-ring
43	622.166	1	Chamber and spring

HIGH LIFTER - ELECTRIC, STAINLESS STEEL

Item	Item no.	Qty	Designation
44	11.15-50.584	2	Overpressure valve
45	451.089	1	Ball, Ø 6 mm
46	403.094	1	Valve spring
47	11.15-50.553	1	Fitting
48	11.15-50.586	1	Fitting
49			
50	11.15-50.468	1	Reducing section
51	11.15-50-587	1	Pipe
52	11.15-50.585	2	Pipe
53	11.15-50.137	1	Bolt
54	04.03-50.220	1	Towbar Completet
55	457.030	2	Bushing
56	436.020	1	Roller
57	402.166	1	Pin
58	04.03-50.122	1	Box for start switch
59	400.264	1	Screw
60	405.017	1	Release lever
61	28569	1	Pin
62	622.314	1	Chain, completet
63	402.215	1	Chain
64	66636	1	Valvebar, long
65	413.059	1	Threaded rod, short
66	165194	1	Tube
67	400.207	1	Nut
68	401.140	1	Flat washer
69	11.15-50.266	2	O-ring
70	11.15-50.554	1	fitting
71	04.03-50.222	1	Towbar welded machined
72	402.207	1	Locking ring
	11.15-50.335	1	Washer set
*			NSS = Not sold separately

HIGH LIFTER - ELECTRIC, STAINLESS STEEL

PARTS LIST FOR HIGH LIFTER, MANUAL, STAINLESS STEEL MODEL: STEERING COLUMN



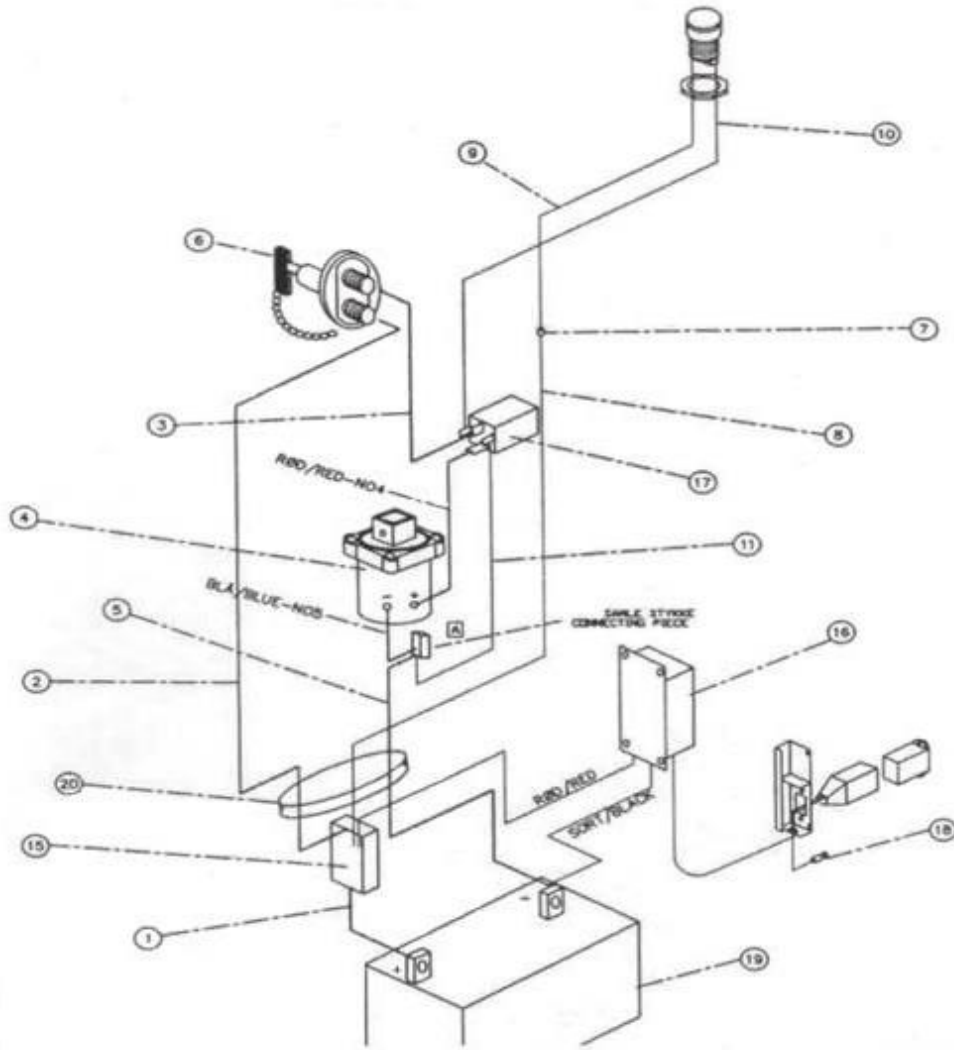
HIGH LIFTER - ELECTRIC, STAINLESS STEEL

PARTS LIST FOR HIGH LIFTER, ELECTRIC, STAINLESS STEEL MODEL: STEERING COLUMN

Item	Item no.	Qty	Designation
0	04.02-50.0232	1	Steering column, complete
1	315.014	2	Poly wheel, bearings included
2	SIS	2	Poly wheel
3	451.062	4	Ball bearing
4	04.02-50.037	2	Lock ring
5	402.169	2	Pin
6	440.710	2	Stop ring
7	04.02-50.001	1	Spacer ring
8	04.02-50.004	1	Spacer ring
9	04.02-50.210	1	Steering column
10	04.02-50.055 +	2	Bolt and washer
	01.02-50.012		
11	04.02-50.104	2	Ball bearing
12	04.02-50.200	1	Chassis
18	400.498	2	Bolt
19	400.498	2	Bolt
20	09.01-50.327	1	Battery bracket
21	09.01-50.325	1	Battery lid

HIGH LIFTER - ELECTRIC, STAINLESS STEEL

PARTS LIST FOR HIGH LIFTER, ELECTRIC, STAINLESS STEEL MODEL: ELECTRICAL SYSTEM 1



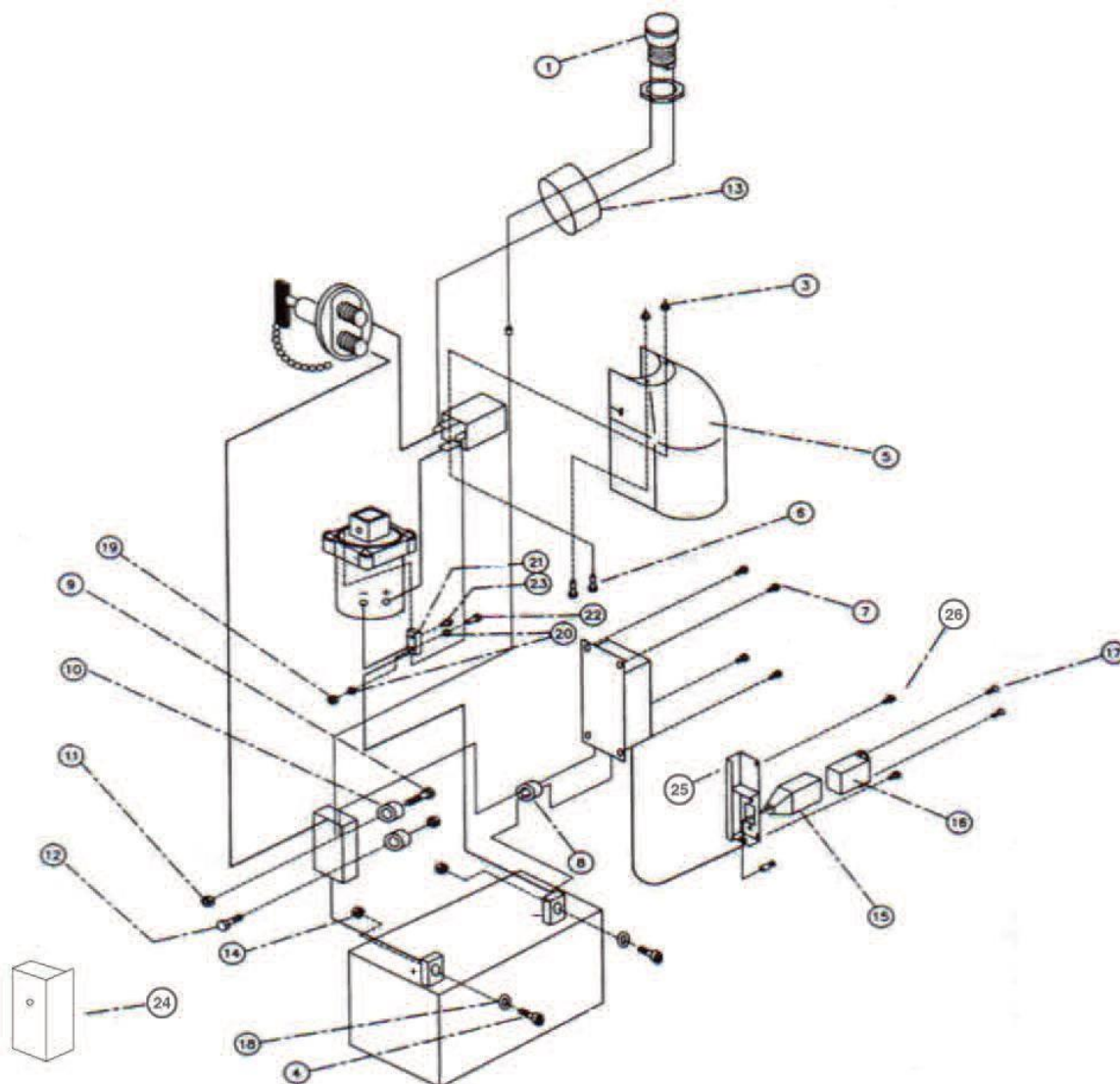
HIGH LIFTER - ELECTRIC, STAINLESS STEEL

PARTS LIST FOR HIGH LIFTER, ELECTRIC, STAINLESS STEEL MODEL: ELECTRICAL SYSTEM 1

Item	Item no.	Qty	Designation
1	09.03-50.564	1	Cable no. 1
2	09.03-50.565	1	Cable no. 2
3	09.03-50.566	1	Cable no. 3
4	11.15-50.441	1	Motor, including cable
5	09.03-50.668	1	Cable no. 5
6	09.03-50.510	1	Switch
7	09.03-50.112	1	Sleeve
8	09.03-50.145	1	Cable no. 8
9	09.03.50.179	1	Cable no. 9
10	09.03-50.179	-	Cable no. 10
11	09.03-50.700	1	Wire no. 11
12	192.101	1	Wire marker no. 1
13	192.110	1	Wire marker no. 0
14	192.109	1	Wire marker no. 9
15	09.03-50.181	1	Fuse holder
16	09.03-50.569	1	Charger, preinstalled
17	09.03-50.400	1	Circuit breaker, 12V-70a
18	09.03-50.570	1	Earthing cable
19	09.03-50.512	1	Battery
20	09.03-50.671	1	Cable conduit duct
			NSS = Not sold separately

HIGH LIFTER - ELECTRIC, STAINLESS STEEL

PARTS LIST FOR HIGH LIFTER, ELECTRIC, STAINLESS STEEL MODEL: ELECTRICAL SYSTEM 2



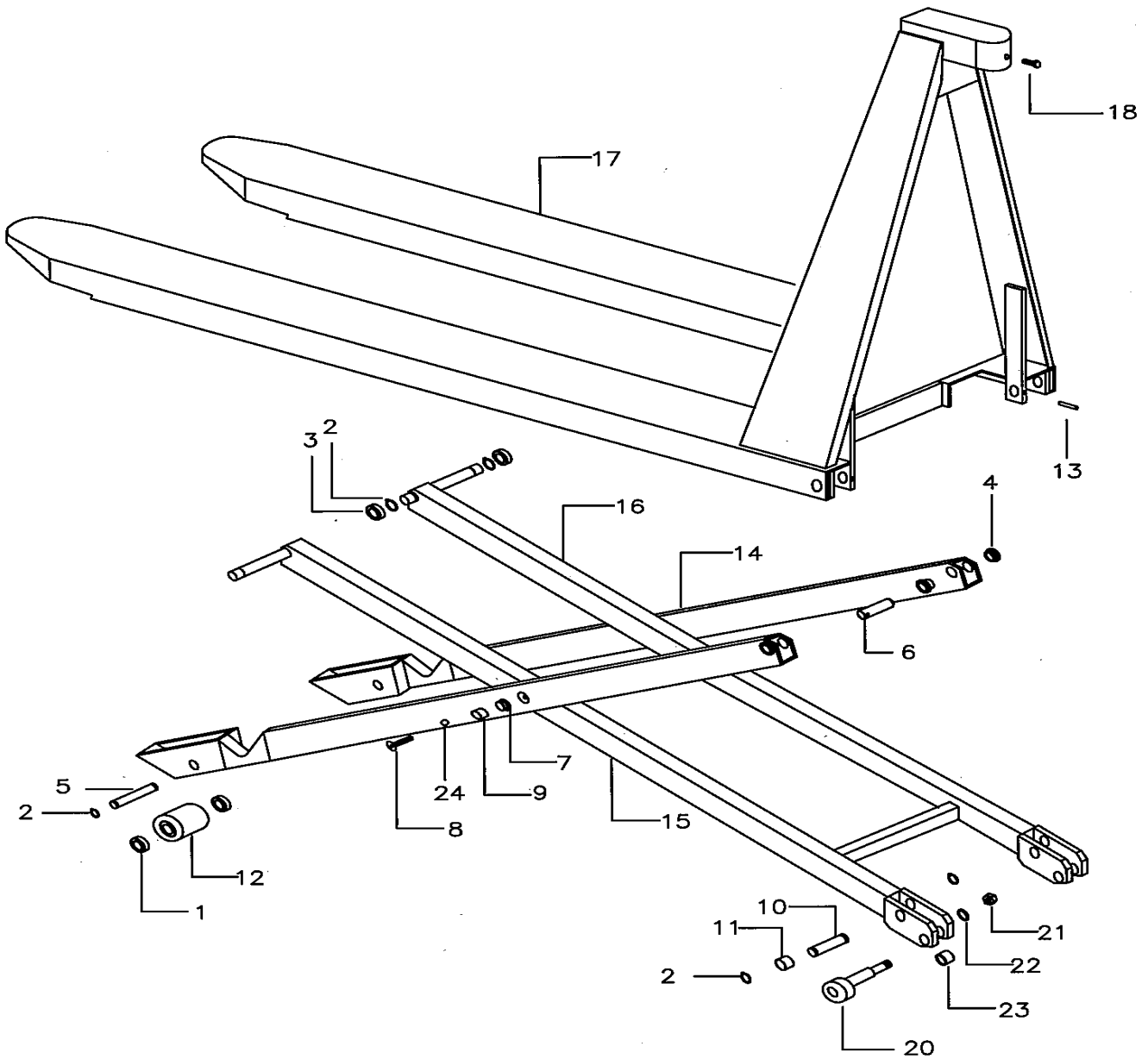
HIGH LIFTER - ELECTRIC, STAINLESS STEEL

PARTS LIST FOR HIGH LIFTER, ELECTRIC, STAINLESS STEEL MODEL: ELECTRICAL SYSTEM 2

Item	Item no.	Qty	Designation
1	09.03-50.001	1	Start switch
2	09.03-50.015	6	Cable tie
3	09.03-50.064	2	Cap nut, M6
4	400.471	2	Hexagonal socket screw, M6 x 16
5	09.03-50.596	1	Motor housing
6	09.03-50.136	2	Setbolt, M6 x 16
7	400.264	4	Taptite screw, M4 x 6
8	04.03-50.007	1	Cable bushing
9	400.461	1	Steel bolt, M5 x 45
10	09.03-50.259	2	Spacer, fuse holder, length: 11 mm
11	09.03-50.042	2	Nut, M5
12	400.473	1	Steel bolt, M5 x 25
13	09.03-50.520	1	Cable conduit duct
14	11.15-50.108	2	Nut, M6
15	09.03-50.516	1	Housing for outlet
16	09.03-50.515	1	Intake point, earthed
17	400.459	2	Us screw, M3 x 8
18	401.140	2	Bevel-edged washer, Ø 6
19	09.03-50.182	1	Nut, M5, self-clinching
20	401.124	2	Flat washer, Ø 5
21	09.01-50.438	1	Connecting piece
22	09.03-50.099	1	Us screw, M3 x 8
23	09.01-50.221	1	Flange screw
24	09.01-50.328	1	Lid for fuse
25	09.01-50.330	1	Cable box
			NSS = Not sold separately

HIGH LIFTER - ELECTRIC, STAINLESS STEEL

PARTS LIST FOR HIGH LIFTER, STAINLESS STEEL MODEL: SCISSOR LIFT AND STABILISER



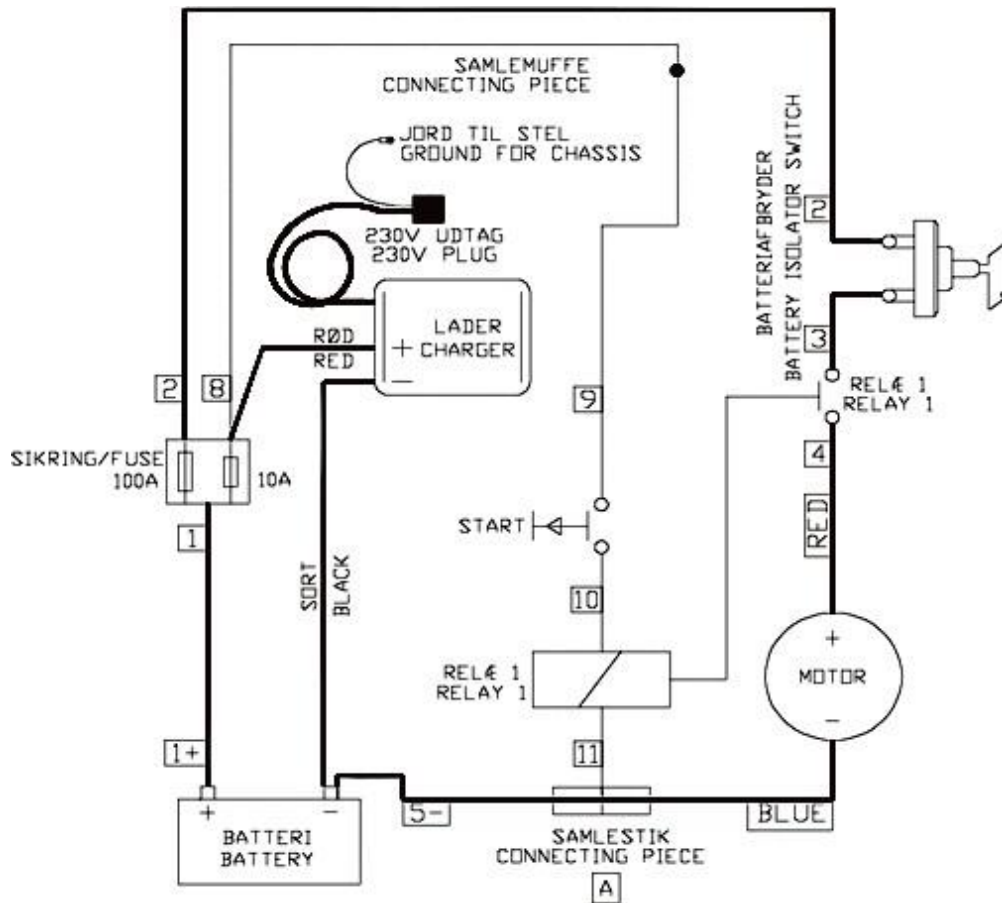
HIGH LIFTER - ELECTRIC, STAINLESS STEEL

PARTS LIST FOR HIGH LIFTER, STAINLESS STEEL MODEL: SCISSOR LIFT AND STABILISER

Item	Item no.	Qty	Designation
0	14.05-50.372	1	Scissor lift assembly, 560 completed
1	401.146	4	Flat washer
2	14.05-50.040	8	Lock washer
3	451.061	4	Ball bearing
4	456.026	4	Bushing
5	14.05-50.061	2	Axle
6	14.05-50.043	2	Axle
7	457.030	2	Buch
8	400.670	2	Screw
9	14.05-50.338	2	Bushing
10	14.05-50.046	2	Axle
11	457.030A	4	Bushing
12	365.044	2	Nylon roller
13	402.189A	2	Pin
14	14.05-50.427	1	Scissor lift section, left
15	14.05-50.428	1	Scissor lift section, right
16	14.05-50.429	1	Scissor lift, welded 560
17	14.08-50.292	1	Frame, welded joint 560
18	400.067	1	Bolt
19	SIS	2	Eccentric
20	201.01-50.025	2	Stabiliser
21	201.01-50.027	2	Nut
22	201.01-50.028	2	Washer
23	201.01-50.024	2	Bushing
24	451.089	2	Ø6 Ball
			NSS = Not sold separately

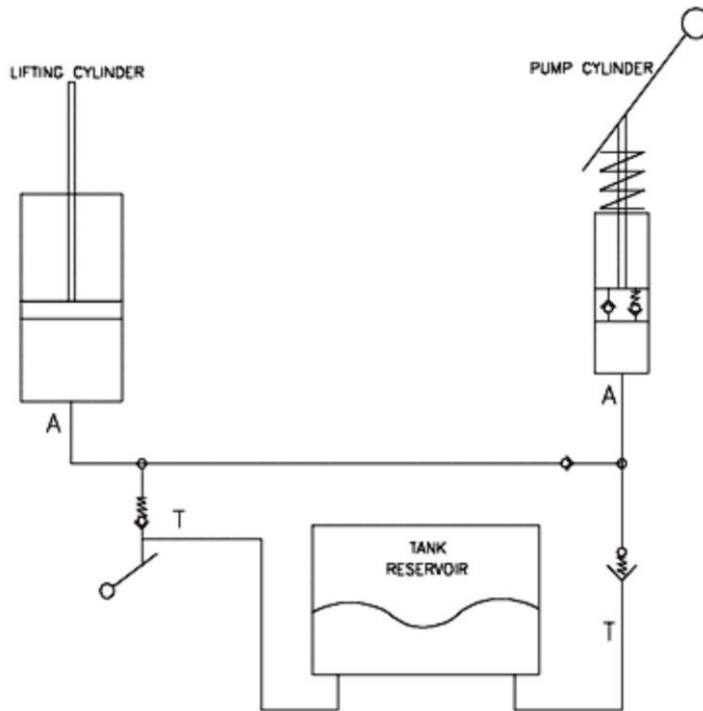
HIGH LIFTER - ELECTRIC, STAINLESS STEEL

CIRCUIT DIAGRAM, STANDARD



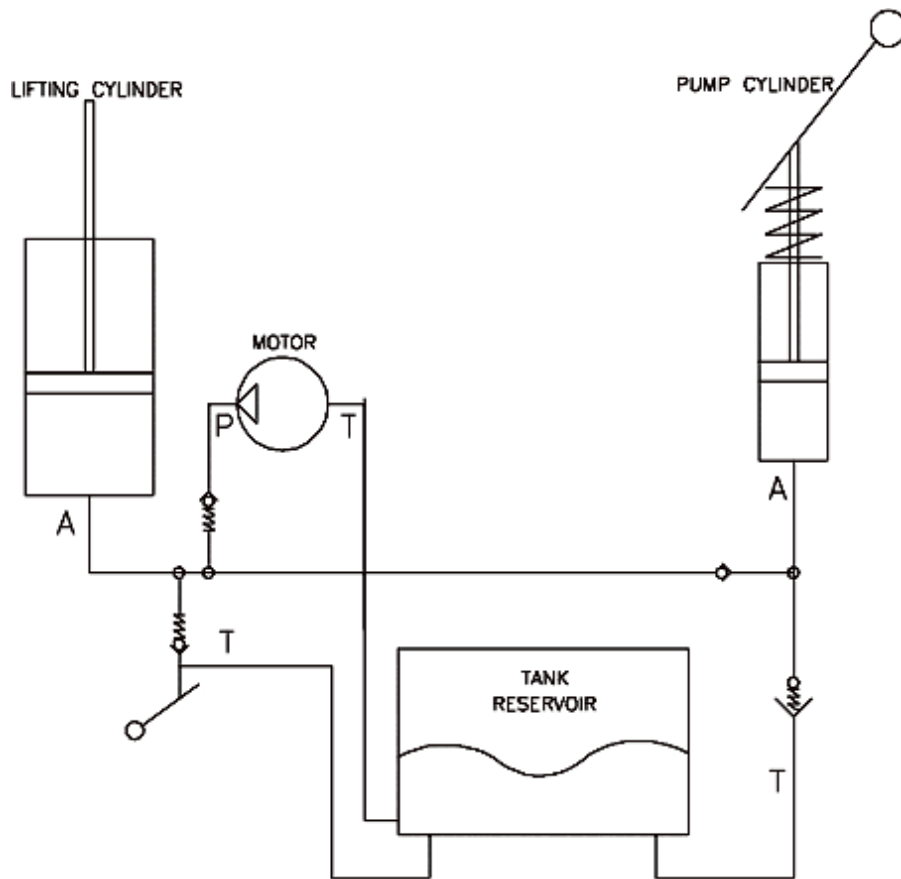
HIGH LIFTER - ELECTRIC, STAINLESS STEEL

HYDRAULIC DIAGRAM, MANUAL



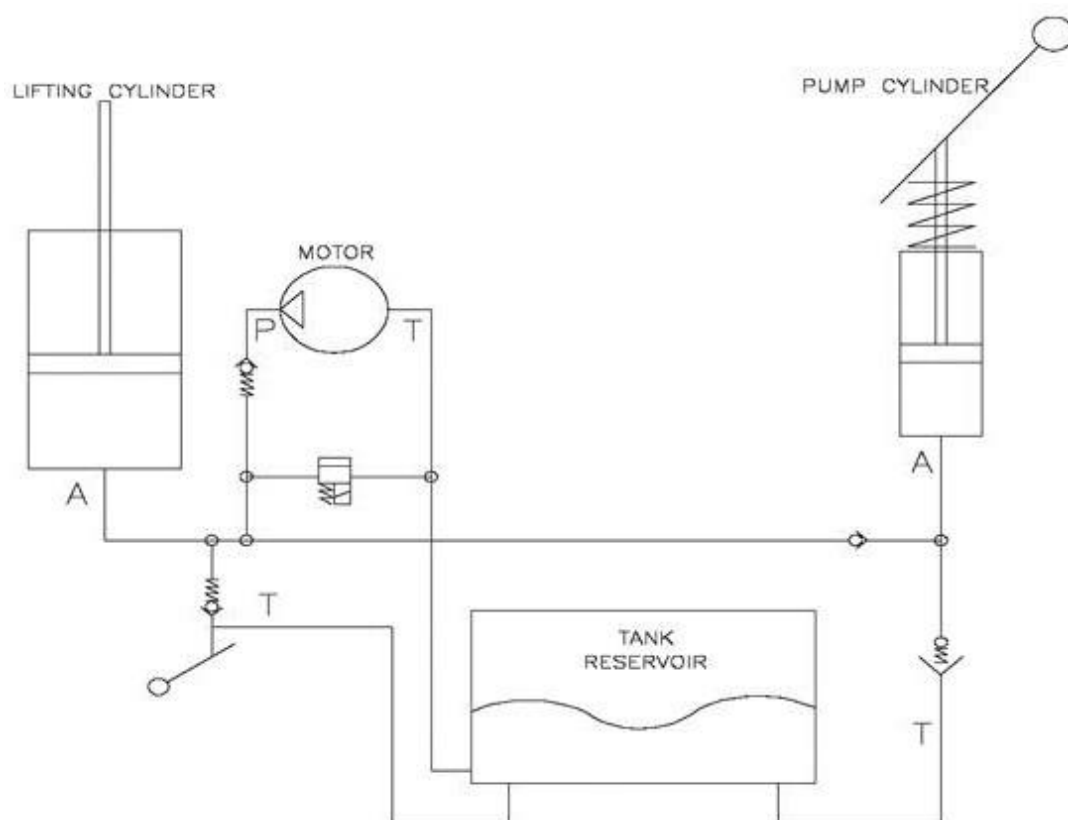
HIGH LIFTER - ELECTRIC, STAINLESS STEEL

HYDRAULIC DIAGRAM, ELECTRICAL



HIGH LIFTER - ELECTRIC, STAINLESS STEEL

HYDRAULIC DIAGRAM, AUTOMATIC HEIGHT ADJUSTMENT (EXTRA EQUIPMENT)



HIGH LIFTER - ELECTRIC, STAINLESS STEEL

COMPLIANCE STATEMENT:

EU DECLARATION OF CONFORMITY, ENGLISH VERSION (UK)

All information you need for the use and maintenance of your low loader can be found in this operating manual. Before switching on the car, read the owner's manual carefully and follow the instructions contained therein. They help you prevent accidents and maintain the warranty conditions and therefore their validity.

The pallet truck described in this manual is manufactured using the most modern technological processes. During construction, all applicable safety standards and regulations were observed.

VMH - Material Handling s.r.o. Sabinovská 53, 082 21 Veľký Šariš, SLOVAKIA



Tel.: 00421 51 7495160
Fax.: 00421 51 7495160
E-mail: vmh@vmh.sk
Web: www.vmh.sk



The declaration of conformity indicates that a forklift truck complies with the relevant directives at the time it is placed on the market:

- * **CE: European Union (EU)**
- * **UKCA: United Kingdom of Great Britain (UK)**

The Declaration of Conformity is issued for the EU and United Kingdom (UK) markets.

★ ★ ★ EC Declaration of Conformity ★ ★ ★

to EC Machinery Directive: **2006/42/EC**

Producer: VMH–Material Handling s.r.o., Sabinovská 53, SK-082 21 Veľký Šariš, Slovakia
Reg. Nr.: 45 452 237

We, represented by the undersigned, here by declare that the following machinery:

HIGH LIFTER – ELECTRIC
(stainless steel)

Model OA/116 with capacity 1000 kg
(also, with additional components and derivations)

conforms to the following relevant provisions / directives:

EC Machinery Directive 2006/42/EC

Further standards / specifications / documents used in the form of

Harmonised Standards:

EN ISO 12100:2010

ES ISO 3691-5:2015+A1:2020

Veľký Šariš, Slovakia 19.01.2024

Vladimír Havrila

IMPORTANT:

Unauthorized interventions or changes to the structure of the pallet truck can lead to injuries and a general safety hazard in the workplace. Such an intervention in the structure will result in the declaration of conformity becoming invalid.